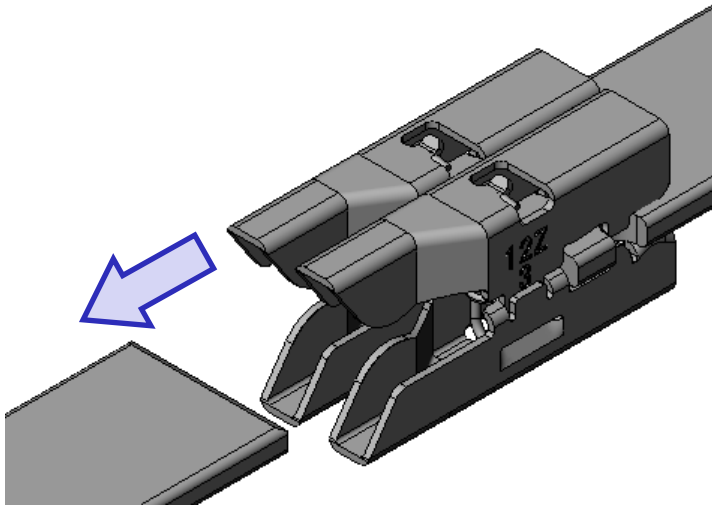


NEW



High-current Busbar Connector DW07 Series

CONNECTOR
MB-0296-1
May 2015



Part Numbers

DW07S01BAG1
DW07S01BAG2
DW07S01BAG3
DW07S01BAG4

RoHS Compliant

Overview

The DW07 Series connector is used to easily connect power busbars in high-current equipment.

The DW07 Series is an innovative connector solution that uses no screws, providing substantial benefits over the conventional multiple-screw methods. The DW07 reduces the time needed for installation and maintenance. The elimination of screws also means the connector requires less operating space, allowing for higher density installation. And the ability to attach from the front side of equipment offers greater freedom of design.

Features

■ Floating Connection

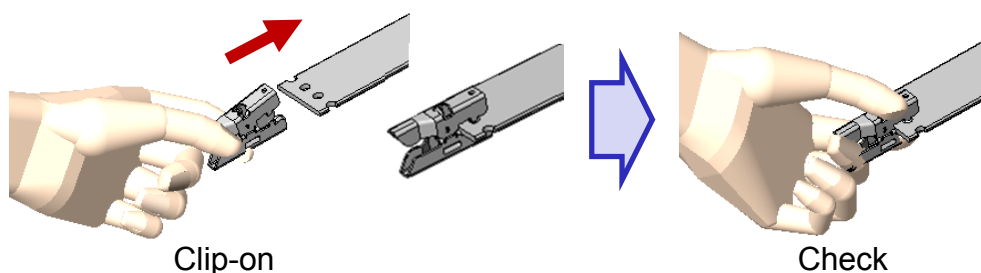
The DW07 Series compensates for mis-alignment between the rigid busbars being connected.

■ Flexible Current Amount

The amount of current that can be conducted is easily adjusted by changing the number of DW07 Series connectors attached to one line.

■ Attachment Without Using Screws

Connector attaches easily with one hand, clipping onto mating holes in the busbar.



General Specifications

- Rated Current: Refer to Chart 1
- Contact Resistance:
 - 0.13mΩ max. (initial)
 - 0.16mΩ max. (after test)
- Acceptable Tolerance: Refer to Figure 1
- Durability: 100 times
- Operating Temperature:
 - 25°C to +105°C
 - (including conduction temperature rise)
- Applicable Busbar:
 - JIS H 3140 Ag plating

Chart 1: Rated Current

Cable Size (mm ²)	Busbar Size (mm)		Rated Current (A)							
			Using 1 connector		Using 2 connectors		Using 3 connectors		Using 4 connectors	
	Thickness	Width	30 K	65 K	30 K	65 K	30 K	65 K	30 K	65 K
50	3	15	130	194	-	-	-	-	-	-
60	4	15	144	215	-	-	-	-	-	-
80	3	25	164	246	205	305	-	-	-	-
	5	15	161	239	-	-	-	-	-	-
100	4	25	188	280	224	332	-	-	-	-
	6	15	168	252	-	-	-	-	-	-
125	3	38	208	308	266	396	292	436	-	-
	5	25	210	315	268	400	-	-	-	-
150	3	50	222	330	294	437	325	481	340	506
	4	38	228	341	290	430	320	474	-	-
	6	25	228	338	270	400	-	-	-	-
200	4	50	259	386	338	502	381	567	400	599
	5	38	250	372	326	483	357	530	-	-
250	5	50	277	414	361	537	400	595	425	632
	6	38	261	388	336	498	373	555	-	-
325	6	50	274	413	358	572	438	651	461	685

* Rated Current = Current value (in A) that temperature rise will be 30 K or 65 K x safety ratio (80%)

* Calculated based on the examination results of the connection of the above shown cable (2m) and busbar (10cm).

* Rated current depends on the size of the busbar and the number of connectors used.

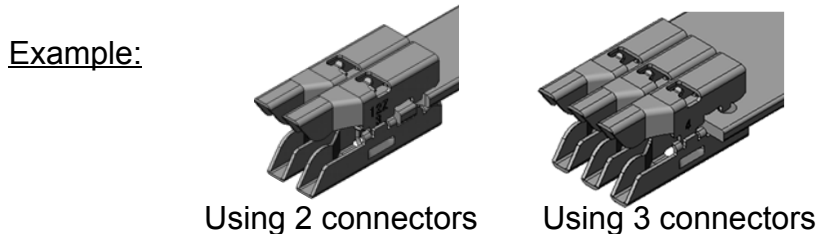
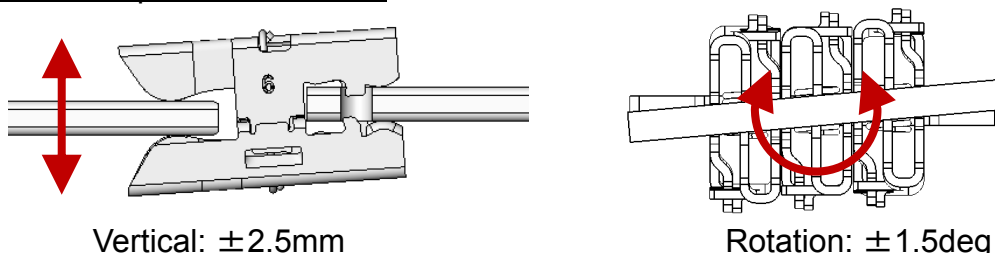
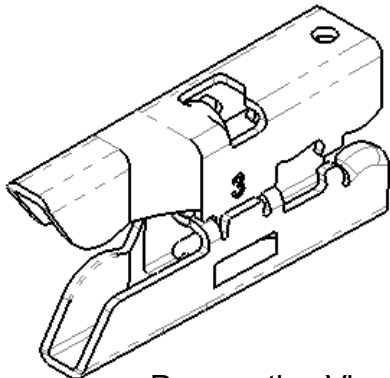


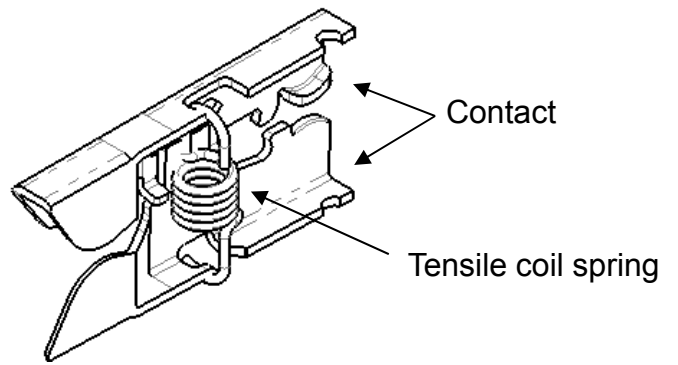
Figure 1: Acceptable Tolerances



Materials and Finishes



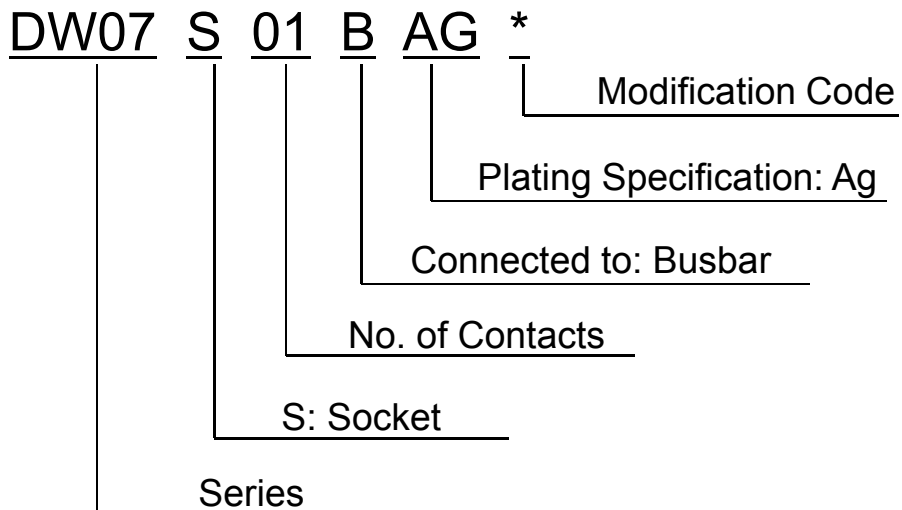
Perspective View



Cross-section View

Component	Material and Finish
Contact	Copper alloy / Ag plating
Tensile coil spring	Stainless steel

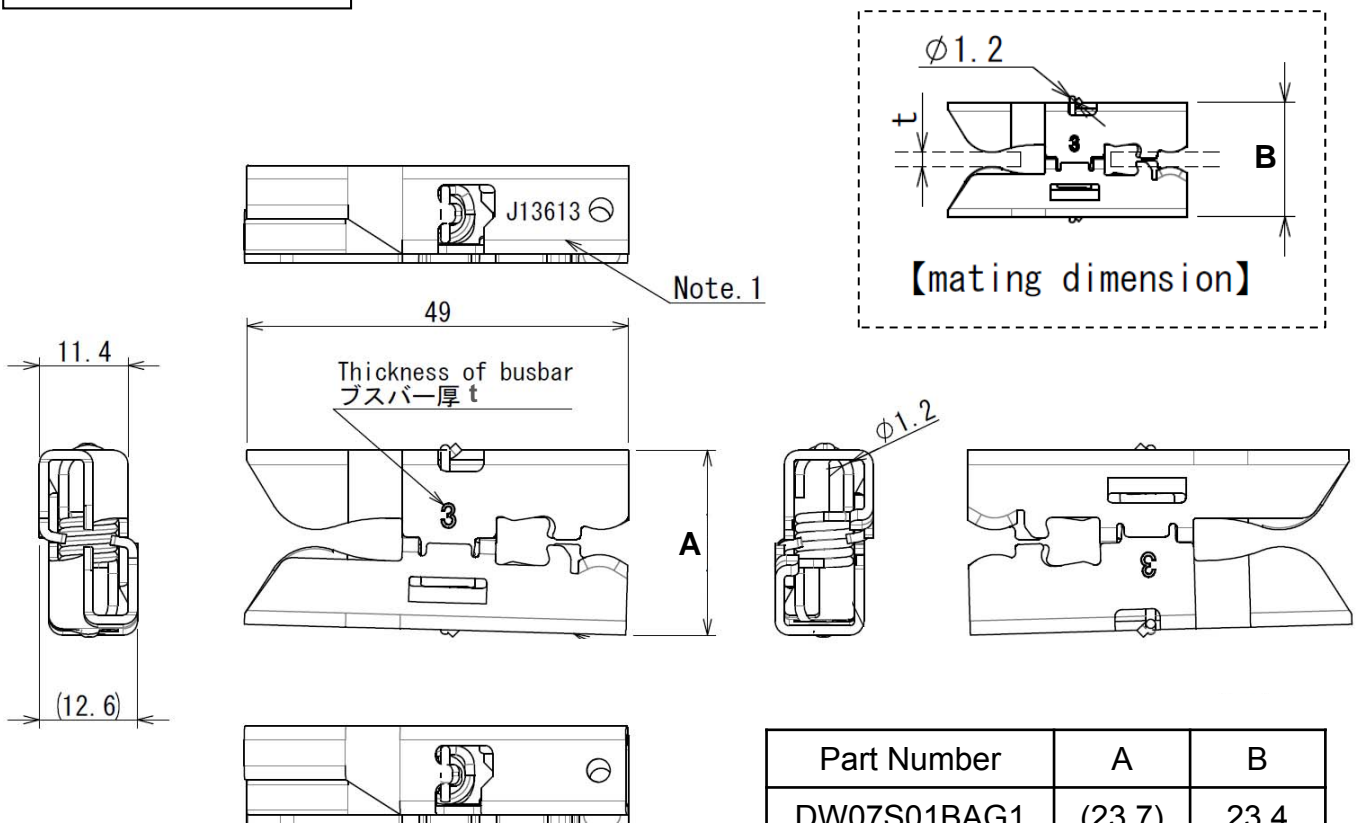
Ordering Information



Technical Documents

Part Number	SJ Drawing	Specifications	Handling Instructions
DW07S01BAG1	SJ114199	JACS-30309	JAHL-30309 (Assembly work)
DW07S01BAG2	SJ114200		
DW07S01BAG3	SJ114201		JAHL-30309-1 (For engineer)
DW07S01BAG4	SJ114202		

Product Drawings

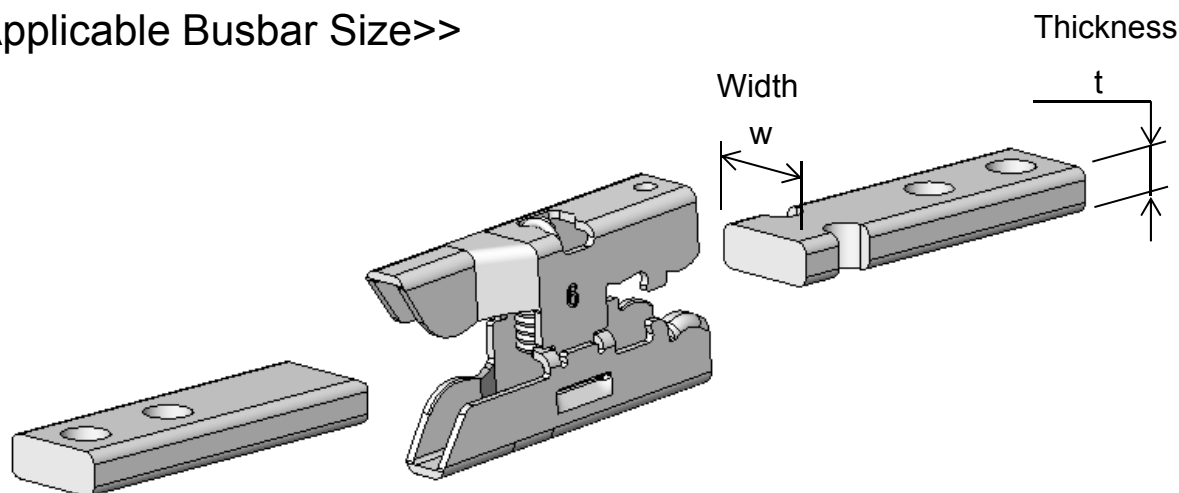


Year

Note 1: Lot No. will be shown as in the figure.

J 13 6 13
 生産日 (DAY)
 月 (10月:0, 11月:X, 12月:Y) (MONTH OCT:0, NOV:X, DEC:Y)
 年 (西暦下2桁) Year - Lower 2 digits of A.D.
 製造コード (PRODUCT CODE)

<<Applicable Busbar Size>>



Applicable Busbar Thickness (t)

Part Number	t
DW07S01BAG1	3mm
DW07S01BAG2	4mm
DW07S01BAG3	5mm
DW07S01BAG4	6mm

Applicable Busbar Width (w)

Number of Attached Connectors	w	Tolerance
1 connector	15mm	± 1mm
2 connectors	25mm	± 1mm
3 connectors	38mm	± 1mm
4 connectors	50mm	± 1mm

Notice:

1. The values specified in this brochure are only for reference. The products and their specifications are subject to change without notice. Contact our sales staff for further information before considering or ordering any of our products. For purchase, a product specification must be agreed upon.

2. Users are requested to provide protection circuits and redundancy circuits to ensure safety of the equipment, and sufficiently review the suitability of JAE's products to the equipment.

3. The products presented in this brochure are designed for the uses recommended below.

We strongly suggest you contact our sales staff when considering use of any of the products in any other way than the recommended applications or for a specific use that requires an extremely high reliability.

(1) Applications that require consultation:

(i) Please contact us if you are considering use involving a quality assurance program that you specify or that is peculiar to the industry, such as:

Automotive electrical components, train control, telecommunications devices (mainline), traffic light control, electric power, combustion control, fire prevention or security systems, disaster prevention equipment, etc.

(ii) We may separately give you our support with a quality assurance program that you specify, when you think of a use such as:

Aviation or space equipment, submarine repeaters, nuclear power control systems, medical equipment for life support, etc.

(2) Recommended applications include:

Computers, office appliances, telecommunications devices (terminals, mobile units), measuring equipment, audiovisual equipment, home electric appliances, factory automation equipment, etc

Japan Aviation Electronics Industry, Limited

Product Marketing Division

Aobadai Building, 3-1-19, Aobadai, Meguro-ku, Tokyo 153-8539

Phone: +81-3-3780-2882 FAX: +81-3-3780-2946

* The specifications in this brochure are subject to change without notice. Please contact JAE for information.

Mouser Electronics

Authorized Distributor

Click to View Pricing, Inventory, Delivery & Lifecycle Information:

[JAE Electronics:](#)

[DW07S01BAG4](#) [DW07S01BAG1](#)